

ROLLER EXPRESS

WAND MOTORIZATION INSTALLATION INSTRUCTIONS

1

TOOLS

GETTING STARTED – TOOLS NEEDED FOR INSTALLATION



2

UNPACKING THE PARTS

Locate labeled hardware bag (items may vary depending on requested shade).

ITEM	1	2	3	4 (If Applicable)	5 (If Applicable)	6 (If Applicable)
ITEM NAME	Installation Bracket	Installation Screws	Wand	(A) Fascia OR (B) Contoured Valance	(A) Outside Mount Extension OR/AND (B) Inside Mount Fascia Bracket	(A) Fascia Standard Returns (B) Valance Returns

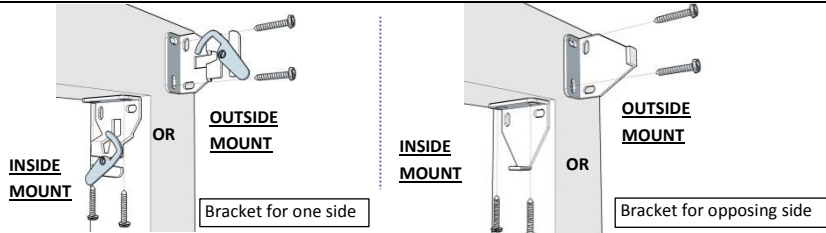
3

BRACKET PLACEMENT

Locate Items 1 & 2 for this section

Determine bracket placement (Inside Mount OR Outside Mount).

Using the Drill, secure your brackets with installation screws.



4

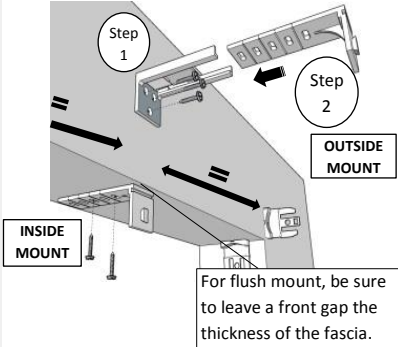
METAL FASCIA PLACEMENT

Locate Item(s) 5 for this section

Item 5(A) will only be included if installing as an outside mount.

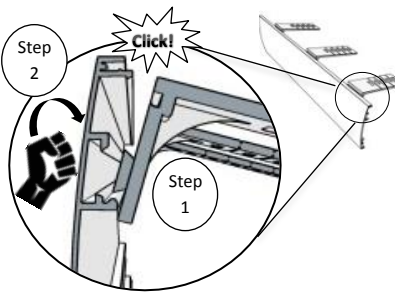
Place and secure item(s) 5A and/or 5(B) at an equal in-between distance between the Installation Brackets (item 1).

SKIP THIS STEP IF NOT INSTALLING A FASCIA



Locate Item 4(A) for this section

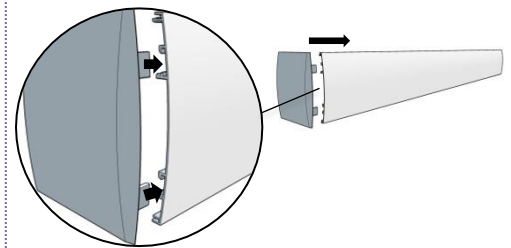
To insert item 4(A) into Inside Mount Fascia Bracket make sure to first position/rest the Fascia according to the image (step 1) and then give a slight tap to the fascia with enough force until you hear an audible



SKIP THIS STEP IF NOT INSTALLING RETURNS.

Locate Item 6 (A) for this section

To insert item 6 (A) into Fascia, position the standard return as shown in the image, and insert the return until fully secured.



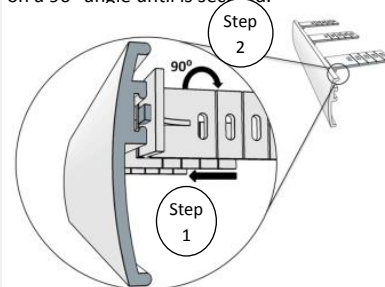
5

VALANCE PLACEMENT

Locate Item 4(B) for this section

To insert item 4(B) into Inside Mount Fascia Bracket, make sure to position the valance where the channel is at the top of the valance (as shown in the image). Then push in the Inside Mount Fascia Bracket and turn it on a 90° angle until is secured.

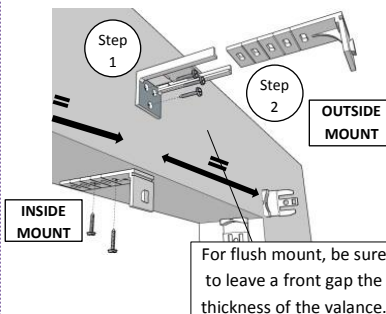
SKIP THIS STEP IF NOT INSTALLING A VALANCE



Locate Item(s) 5 for this section

Item 5(A) will only be included if installing as an outside mount.

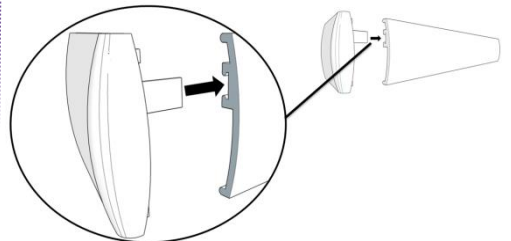
Place and secure item(s) 5A and/or 5(B) at an equal in-between distance between the Installation Brackets.



SKIP THIS STEP IF NOT INSTALLING RETURNS.

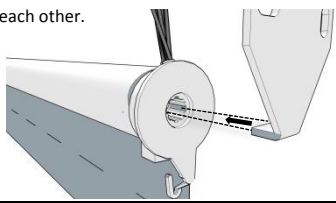
Locate Item 6 (B) for this section

To insert item 6 (B) into Valance, position the valance as shown in the image, and insert the return until fully secured.

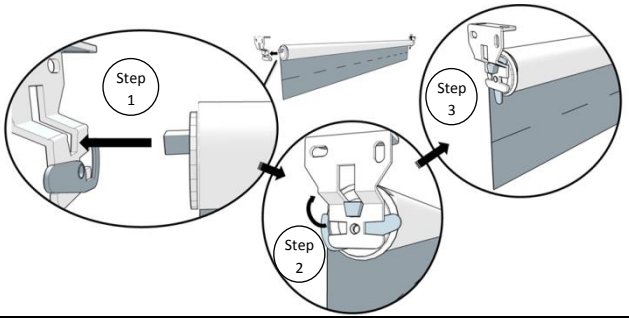


6
SHADE
PLACEMENT

You will need your shade for this section
Follow image instructions to insert your shade into installation bracket.
*Make sure the gap where installation bracket will be inserted are parallel to each other.

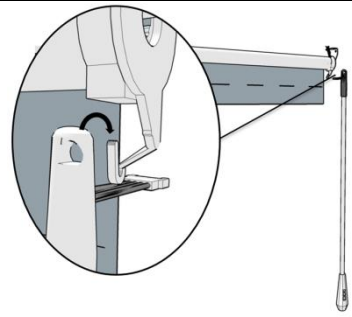


Follow image instructions to insert your shade into the opposing Installation Bracket from prior section.

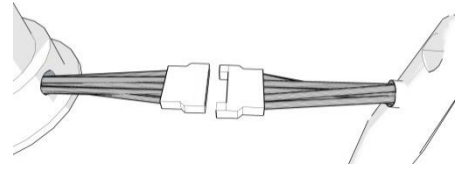


7
FINISHING UP
(WAND
PLACEMENT)

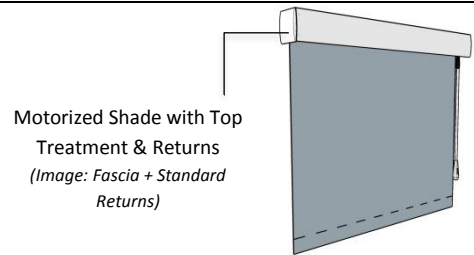
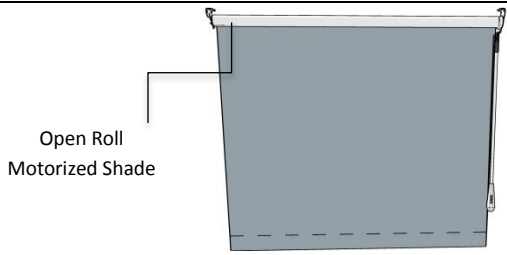
Locate Item 3 for this section
Follow image instructions to insert item 3 into the hook from the installation bracket.



To finalize your wand placement, make sure to connect the wand to the motor from the shade.



8
FINAL LOOKS

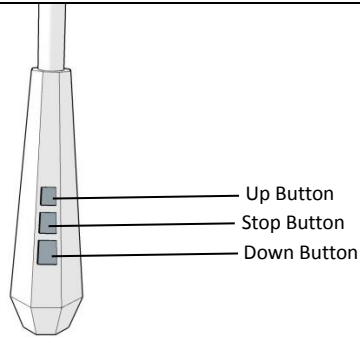


9
OPERATING
INSTRUCTIONS

IMPORTANT: Your motorized shade has come to you with the limit sets. However, if you need or would like to change/adjust the limits please follow the instructions located below.

Roller Wand Programming

- Setting upper limit:** Move shade to desired upper limit and press stop. Shade will automatically go into step mode for final adjustments. When desired limit is reached, press the setting button for one beep. THE UPPER LIMIT IS NOW SET.
- Setting Lower limit:** Move shade to desired lower limit and press stop. Shade will automatically go into step mode for final adjustments. When desired limit is reached, press the setting button for one beep. THE LOWER LIMIT IS NOW SET.



TIPS
&TROUBLE
SHOOTING

Tips & Troubleshooting	Solutions
Shade is rolling up on tube unevenly or tracks:	If you notice the material winds unevenly and begins to track or telescope to one side check to insure that the shade is level. If the shade is not level, remove it from the mounting brackets and shim or reinstall the brackets, as necessary. <i>IMPORTANT NOTE:</i> Operating a shade that is not level will result in damage to the material. Damage caused by operating an unlevelled shade is not covered under our normal warranty.
Clearing the Limits	Press and hold the setting button for 4 beeps.
Reverse Motor Direccion	Press and hold Stop + Setting Button for 4 beeps.
Wand will not operate the shade	Re-charge the battery. The lithium ion battery is charged via a USB power cable that plugs into the end of the wand. Plug the recharger into the micro USB charging port on the bottom of the wand. The other end will plug into any USB power adapter. When the battery is fully charged, the Recharging Indicator Light will glow green.