

ROLLER EXPRESS

CLUTCH CONTROL INSTALLATION INSTRUCTIONS

1

TOOLS

GETTING STARTED – TOOLS NEEDED FOR INSTALLATION



2

UNPACKING THE PARTS

Locate labeled hardware bag (items may vary depending on requested shade).

| ITEM | 1 | 2 | 3 | 4 | 5 | 6 | 7 | 8 (If Applicable) | 9 (If Applicable) | 10 (If Applicable) |
|-----------|----------------------|---------------------|-----------|----------------|----------|------------|------------------|---|--|--|
| ITEM NAME | Installation Bracket | Installation Screws | Screw Cap | Bracket Insert | End Caps | Chain Stop | Safety Tensioner | (A) Fascia OR (B) Contoured Valance (with shade) | (A) Outside Mount Extension OR/AND (B) Inside Mount Fascia Bracket | (A) Fascia Standard Returns (B) Valance Returns |

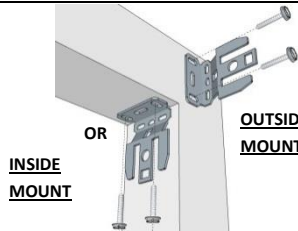
3

BRACKET PLACEMENT

Locate Items 1 & 2 for this section

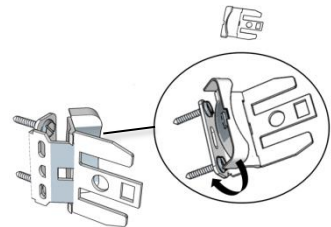
Determine bracket placement (Inside Mount OR Outside Mount).

Using the Drill, secure your brackets with installation screws.



Locate Item 3 for this section

Follow image instructions to cover screws for a complete finish look.



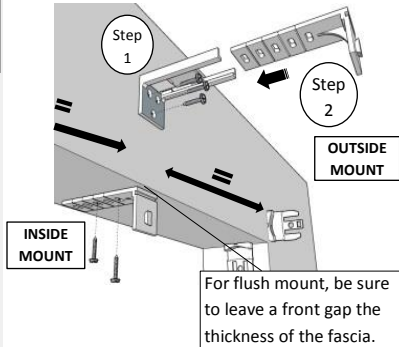
4

METAL FASCIA PLACEMENT

Locate Item(s) 9 for this section

Item 9(A) will only be included if installing as an outside mount.

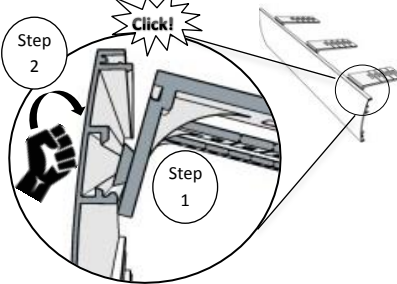
Place and secure item(s) 9A and/or 9(B) at an equal in-between distance between the Installation Brackets (item 1).



SKIP THIS STEP IF NOT INSTALLING A FASCIA

Locate Item 8(A) for this section

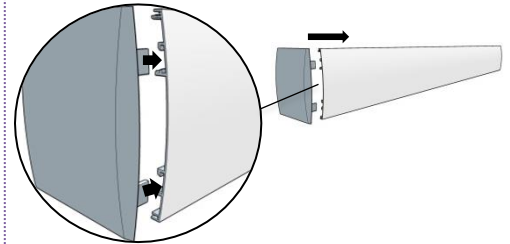
To insert item 8(A) into Inside Mount Fascia Bracket make sure to first position/rest the Fascia according to the image (step 1) and then give a slight tap to the fascia with enough force until you hear an audible "click" (step 2).



SKIP THIS STEP IF NOT INSTALLING RETURNS.

Locate Item 10 (A) for this section

To insert item 10 (A) into Fascia, position the standard return as shown in the image, and insert the return until fully secured.

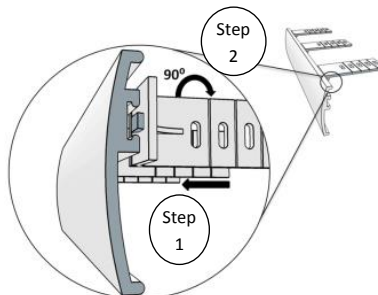


5

VALANCE PLACEMENT

Locate Item 8(B) for this section

To insert item 8(B) into Inside Mount Fascia Bracket, make sure to position the valance where the channel is at the top of the valance (as shown in the image). Then push in the Inside Mount Fascia Bracket and turn it on a 90° angle until is secured.

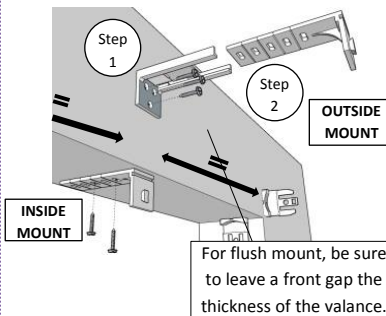


SKIP THIS STEP IF NOT INSTALLING A VALANCE

Locate Item(s) 9 for this section

Item 9(A) will only be included if installing as an outside mount.

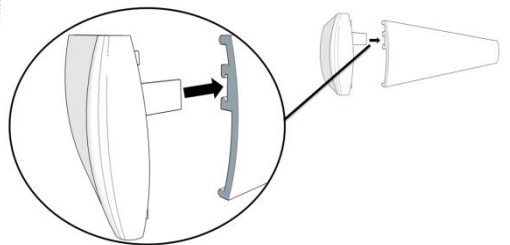
Place and secure item(s) 9A and/or 9(B) at an equal in-between distance between the Installation Brackets (item 1).



SKIP THIS STEP IF NOT INSTALLING RETURNS.

Locate Item 10 (B) for this section

To insert item 10 (B) into Valance, position the valance as shown in the image, and insert the return until fully secured.

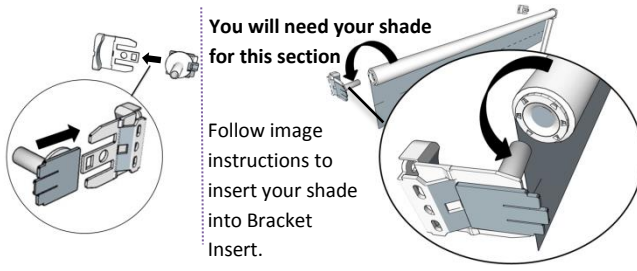


6
SHADE
PLACEMENT

Locate Item 4 for this section

Follow image instructions to insert item 4 into the opposing installation bracket from where your shade control (chain) will be located.

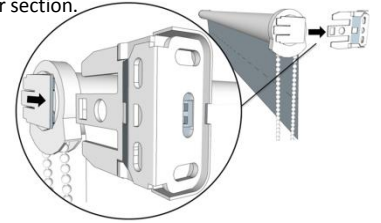
*You will hear a "click" once secured when is securely inserted.



You will need your shade for this section

Follow image instructions to insert your shade into Bracket Insert.

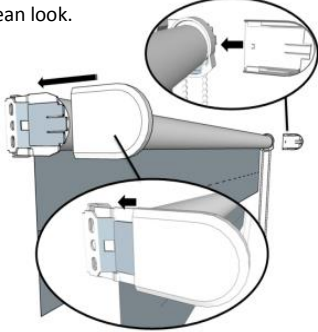
Follow image instructions to insert your shade into the opposing Installation Bracket from prior section.



7
FINISHING UP

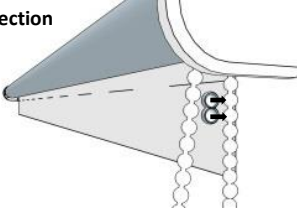
Locate Item 5 for this section

Follow image instructions to insert the end caps into installation brackets for a finish clean look.

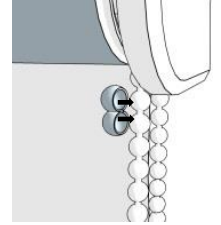


Locate Item 6 for this section

To set upper limit of the shade pull-up the shade to desired location. Clip the chain stop one bead from the clutch.

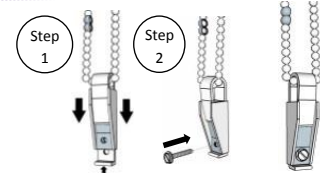


To set lower limit of the shade pull-down the shade to desired location. Clip the chain stop one bead from the clutch.



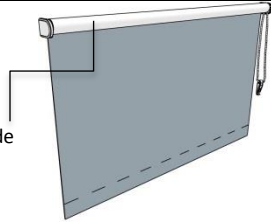
Locate Item 7 for this section (With Shade)

Before adjusting item 7, make sure to leave a slack in the chain to allow chain movement to adjust shade as desired.



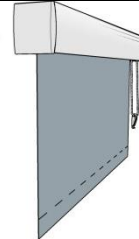
8
FINAL LOOKS

Open Roll Shade



Shade with Top Treatment & Returns

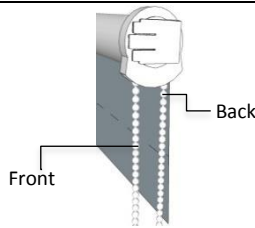
(Image: Fascia + Standard Returns)



9
OPERATING INSTRUCTIONS

To raise shade: pull chain in front.

To lower shade: pull chain in back.



TROUBLE SHOOTING

| Troubleshooting | Solutions |
|---|--|
| Shade is rolling up on tube unevenly or tracks: | If you notice the material winds unevenly and begins to track or telescope to one side check to insure that the shade is level. If the shade is not level, remove it from the mounting brackets and shim or reinstall the brackets, as necessary. <i>IMPORTANT NOTE:</i> Operating a shade that is not level will result in damage to the material. Damage caused by operating an unlevel shade is not covered under our normal warranty. |
| Important note on Child Safety: | The safety tensioner reduces the hazards of strangulation and entanglement of young children and pets by limiting access to the control cord. Anchor the tension device that is attached to the shade's control cord to the window frame or wall so that young children or pets cannot pull the cord around their necks. |