

SOLID SEMI-HOLLOW HOLLOW



-



TITLE

SIDE CHANNEL

DIE NO.

604-A

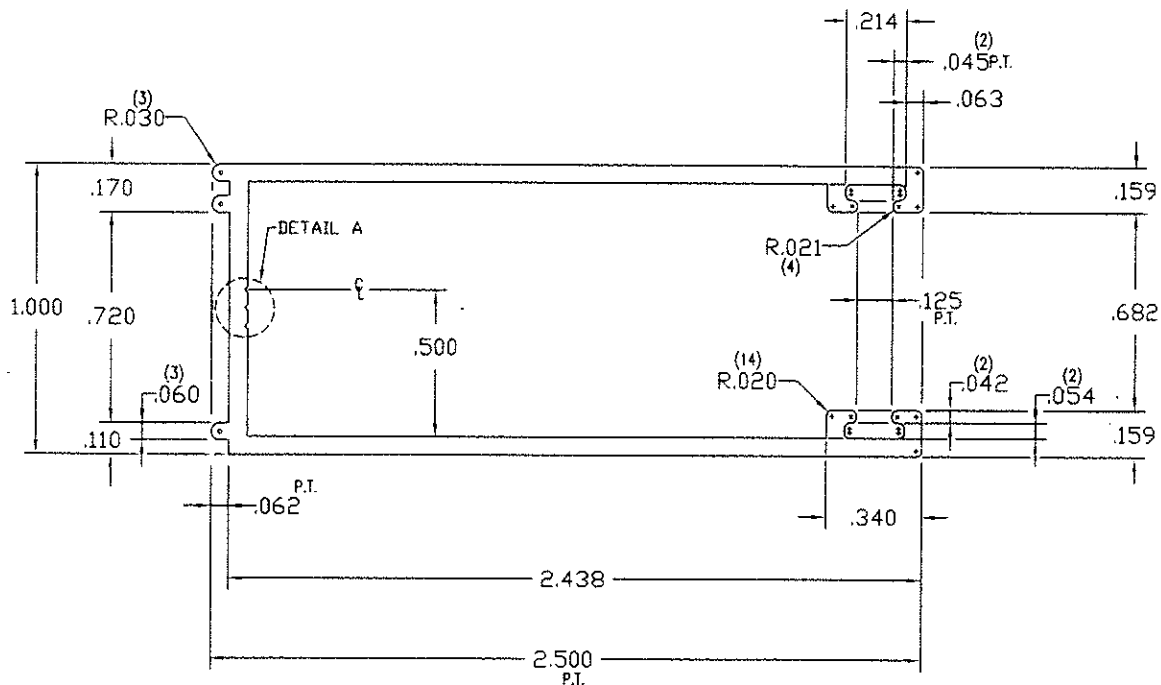
CUSTOMER PT. NO.

-

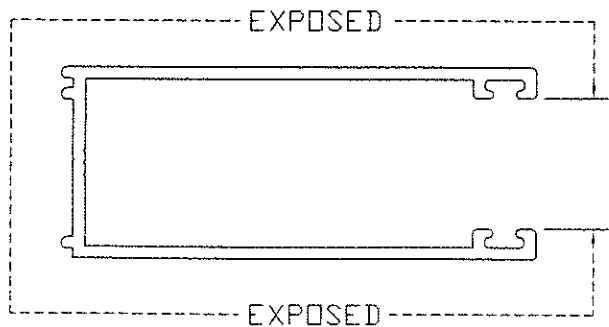
CUTTING LENGTH

-

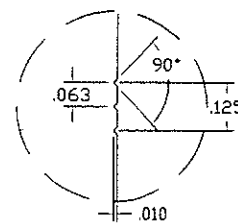
ALLOY: 6063 TEMPER: T5 CIRCLE SIZE: 2.7 P/P POCKET SIZE: -
ALL TOLERANCES -- ALUMINUM ASSOCIATION STANDARD -- UNLESS SPECIFIED OTHERWISE



ACTUAL SIZE



DETAIL "A"
SCALE 2:1
I.D. MARKS



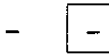
±.006

.063 TYPICAL WALL THICKNESS EXCEPT AS NOTED.

FIRST AREA IS

BREAK SHOWN CORRECTLY

SOLID SEMI-HOLLOW HOLLOW



TITLE
SILL CHANNEL

DIE NO.

637-A

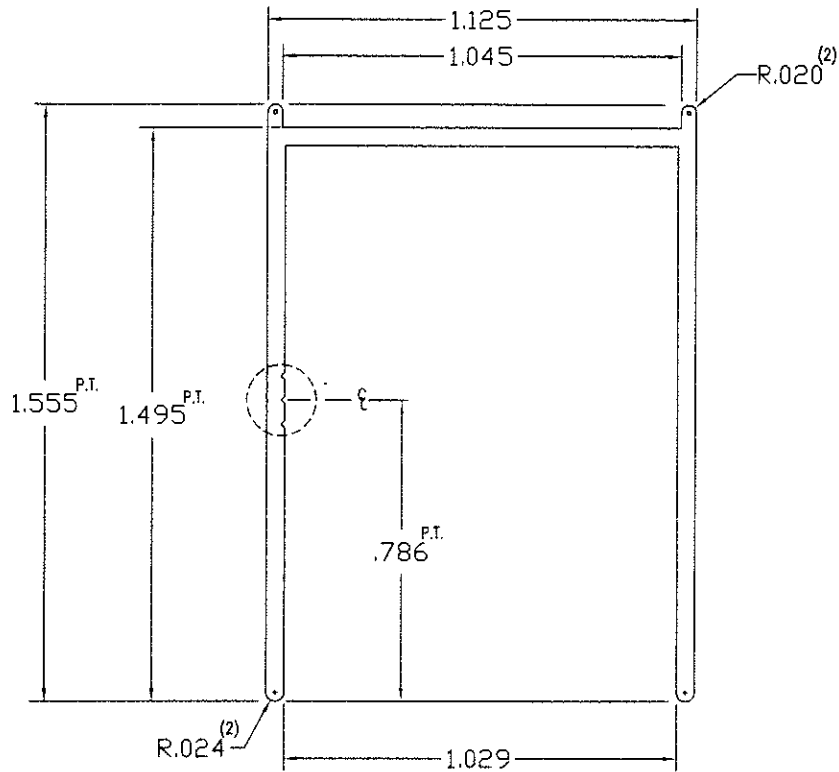
CUSTOMER PT. NO.

-

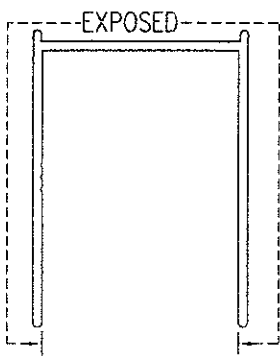
CUTTING LENGTH

-

ALLOY: 6063 TEMPER: T5 CIRCLE SIZE: 1.9 P/P POCKET SIZE: -
ALL TOLERANCES -- ALUMINUM ASSOCIATION STANDARD -- UNLESS SPECIFIED OTHERWISE



ACTUAL SIZE



+ .006

DETAIL "A"
SCALE 2:1
I.D. MARKS

