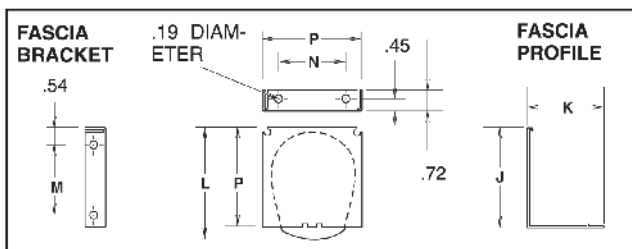


Roller Shades

Fascia Systems

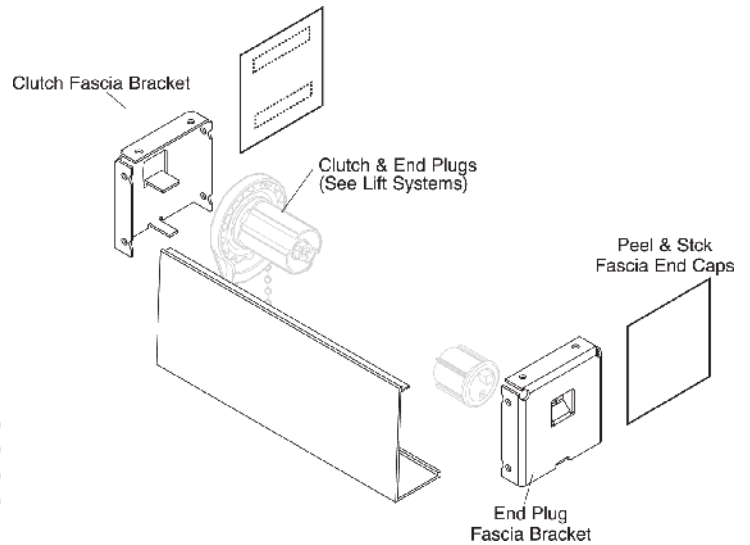
3 Inch & 4 Inch Fascia Systems

Fascia System Component Dimensions



All dimensions in inches.

Clutch Model:	Bracket Model:	Fascia Height:	J	K	L	M	N	P
R8	361/362	3 IN	3.06	2.28	3.31	2.08	1.93	3.00
R16	561	3 IN	3.06	2.28	3.35	2.08	1.93	3.00
R24	581	4 IN	4.06	2.78	4.50	2.08	2.93	4.00
G40	581	4 IN	4.06	2.78	4.50	2.08	2.93	4.00



5 Inch Fascia System Available for Dual Shades

