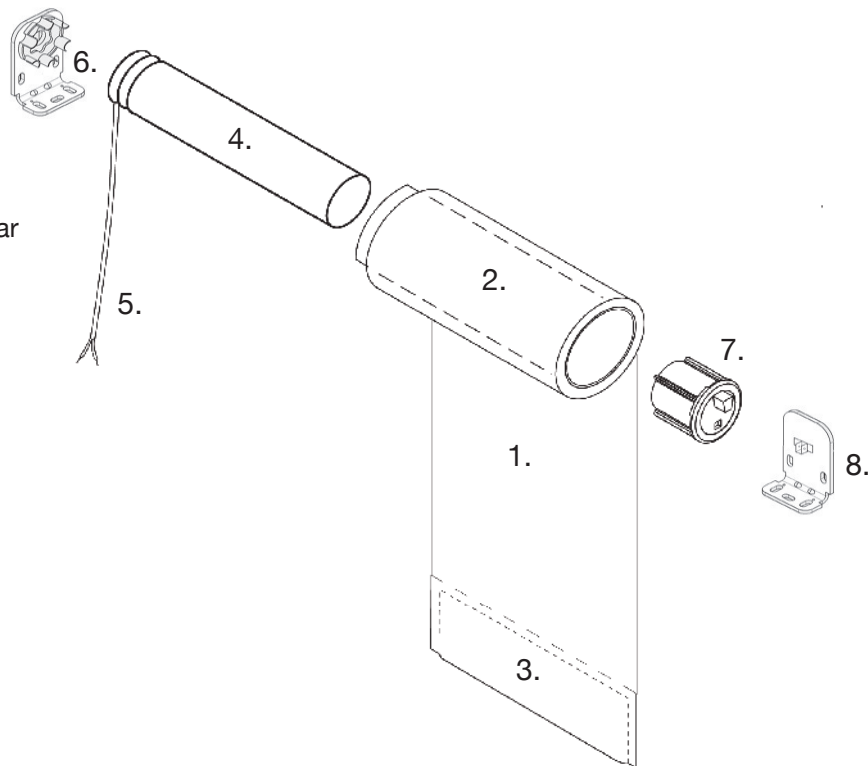


## Roller Shades

### Motorized Shade Specifications

#### Standard Components:

1. Fabric
2. Roller Tube
3. 1 1/2" Sealed Pocket Hem Bar
4. Motor
5. Power Cord
6. Motor Mount Bracket
7. End Plug
8. Idler Bracket



### General Motor Specifications

Motors shall be 4-10 Nm motors with a speeds of 30-38 RPM and lifting capacities of 32-80 lbs. Each motor is equipped with a thermal overload protector. Each motor is UL approved and is available in 110V AC or 220V AC.

Controls shall be 110V AC or 220V AC hardwired applications or wireless with power being provided by a standard duplex outlet. The controls can be applied to each motor individually and/or in groups. The type of controls available are radio or infrared transmitters, sun, motion, light or wind sensors, timers and/or intelligent network automation.