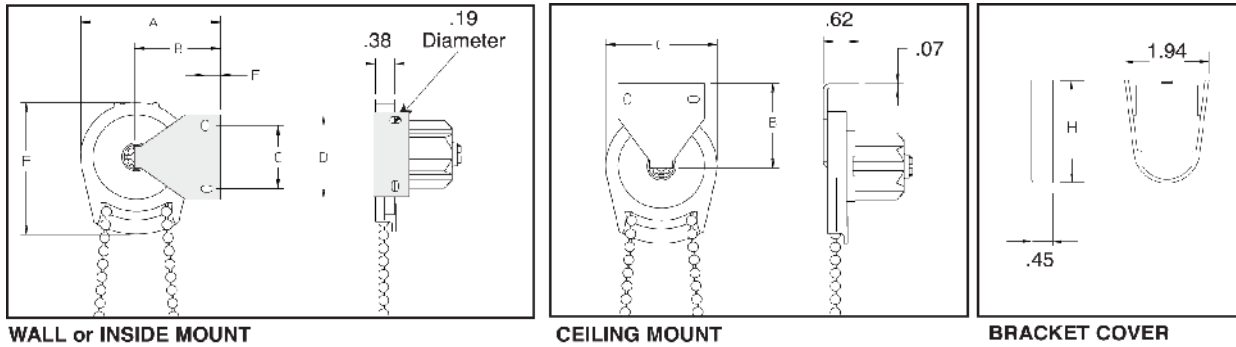
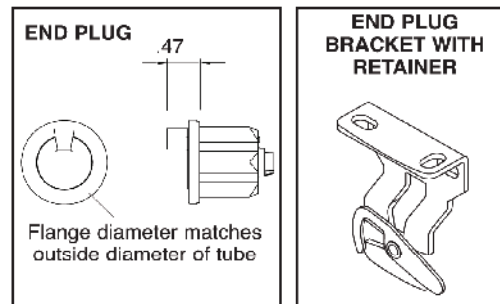


Roller Shades

Component Dimensions



Clutch Model:	Bracket Model:	A	B	C	D	E	F	G	H
R8	360	2.48	1.5	1.06	1.5	.28	2.35	1.95	2.19
R16	560	2.95	1.62	2.0	2.5	.31	3.21	2.65	N/A
R24	580	3.91	2.12	2.0	2.5	.31	4.29	3.58	N/A
G40	580	3.91	2.12	2.0	2.5	.31	4.29	3.58	N/A



Miscellaneous Specifications

Bead Chain: QUALIFIED #10 metal bead chain, 50-51 beads per foot, with a bead diameter of 3/16" (.1875") (Qualified means that the chain must have uniform bead spacing) Plastic or metal chain break strength to be 40 lb minimum, stainless steel 85 lbs minimum. Some #10 metal chain that is sold within the window covering industry is unqualified, and the spacing may vary between 47 and 52 beads per foot. This chain will not work properly in Timber Blind Metro Shade clutches. The problems encountered may include noisy operation, excessive wear, and higher than normal pull force.