

2 INCH ECONOMY EXPRESS CORDLESS LIFT



KEY FEATURES

- Best for Kids™ certified product
- Low profile PVC headrail
- Wand tilt only
- 2-1/2 inch valance
- Lengths are fabricated in 6 inch increments

COLOR OFFERINGS



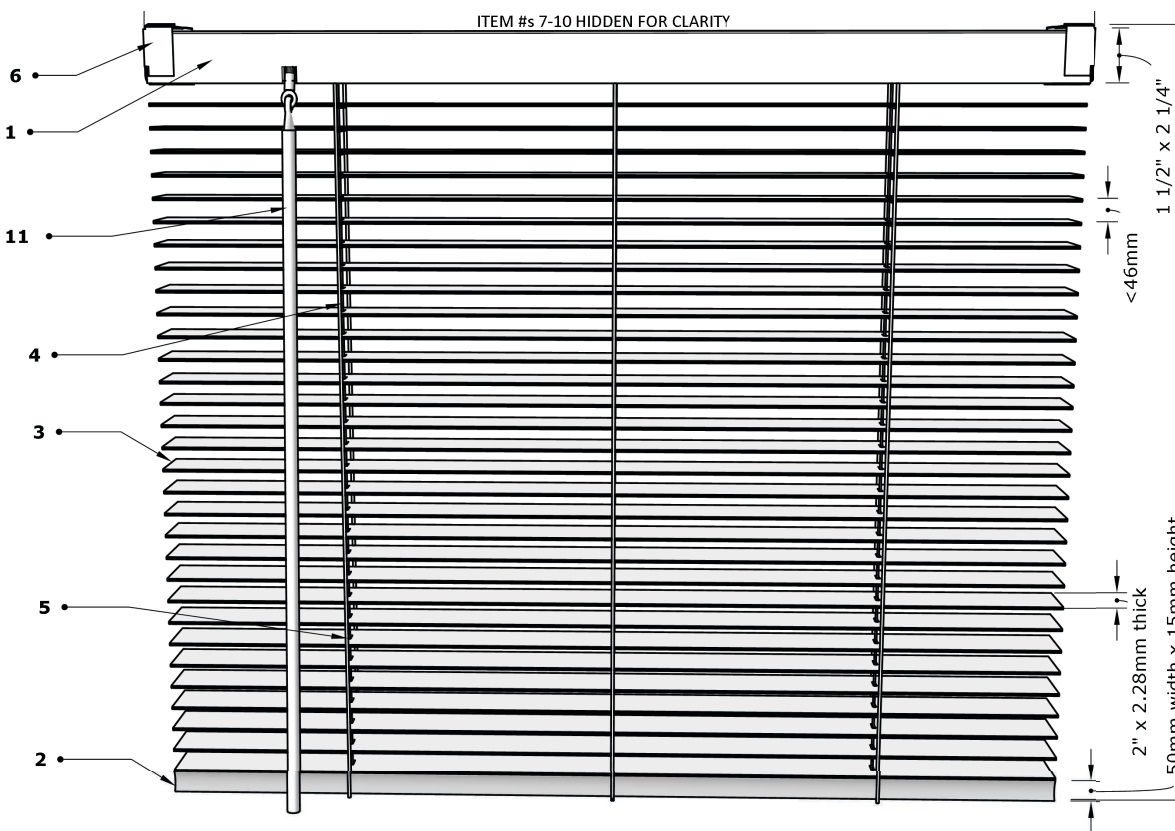
77 White



76 Antique White

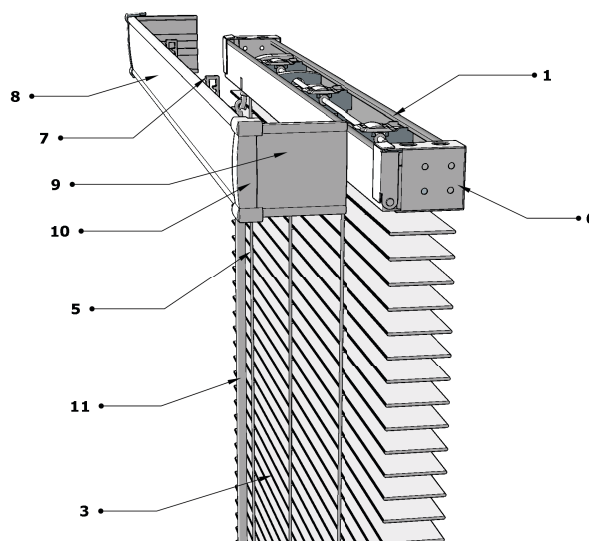
2 INCH ECONOMY EXPRESS CORDLESS LIFT

TECHNICAL DRAWING



ITEM DESCRIPTION

1. Headrail
2. Bottomrail
3. Slat
4. Center Cord
5. Ladder Cord
6. Mounting/Installation Bracket
7. Valance Clip
8. Decorative Valance
9. Valance Return (OB only)
10. Return Corner Piece (OB only)
11. Wand



2 INCH ECONOMY EXPRESS CORDLESS LIFT

SPECIFICATIONS

PART 1 – GENERAL

1.1 SCOPE

- A. SUPPLIER: Furnish and install 2” Economy Express Faux Wood Blinds
- B. RELATED WORK SPECIFIED ELSEWHERE:
 - 1) Section 06100: Rough Carpentry
 - 2) Section 08520: Aluminum Windows

1.2 SUBMITTALS

- A. PRODUCT DATA: Manufacturer’s descriptive literature shall be submitted indicating materials, finishes, construction & installation instructions, and verifying that product meets requirements specified. Manufacturer’s recommendations for maintenance and cleaning shall be included.
- B. DRAWINGS AND DIAGRAMS: Wiring diagrams of any motorized components or units, working and assembly drawings shall be supplied as requested.
- C. SAMPLE: Responsible contracting officer or agent shall supply one sample shade of each type specified in this contract for approval. Supplied units shall be furnished complete with all required components, mounting hardware, instructions, and warranty.

1.3 QUALITY ASSURANCE

- A. SUPPLIER: Manufacturer, subsidiary, or licensed agent shall be approved to supply the products specified, and to honor any claims against product presented in accordance with warranty.
- B. INSTALLER: Installer or agent shall be qualified to install specified products by prior experience, demonstrated Performance, and acceptance of requirements of manufacturer, subsidiary, or licensed agent. Installer shall be responsible for an acceptable installation.
- C. UNIFORMITY: Provide 2” UltraVue Wood Alternative Blinds of only one manufacturer for entire project.

1.4 DELIVERY STORAGE AND HANDLING

- A. Product shall be delivered to site in manufacturer’s original packaging.
- B. Product shall be handled and stored to prevent damage to materials, finished, and operating mechanisms.

1.5 PROJECT/SITE CONDITIONS

- A. Prior to shade installation, building shall be enclosed; windows, frames, and sills shall be installed and glazed.
- B. Wet work shall be complete and dry.
- C. Ceilings, window pockets, electrical, and mechanical work above window covering shall be complete.

1.6 WARRANTY

- A. 1 year Limited Warranty
- B. TimberBlindMetroShade warrants the product against original defects in materials or workmanship for 1 year from the date of purchase/install. TimberBlindMetroShade does not warrant damage due to accidents, misuse, abuse, improper installation, alteration, or improper cleaning. Detailed specifics of the warranty are available upon request.

PART 2 – PRODUCTS

2.1 ACCEPTABLE MANUFACTURER

- A. TimberBlindMetroShade, 1400 Lavon Dr. McKinney, Texas 75069; or architect approved equivalent.
- B. Product substitutions must be approved by architect minimum of 30 days prior to close of bid.

2 INCH ECONOMY EXPRESS CORDLESS LIFT

SPECIFICATIONS

PART 2 – PRODUCTS - continued

2.2 2" ECONOMY EXPRESS CORDLESS LIFT

A. PRODUCT: TimberBlindMetroShade 2" Economy Express Cordless Faux Wood Blinds, Certified "Best for Kids"

B. MATERIALS:

- a. SLATS: 2" x 2.28mm thick color coordinated PVC – Passes 500 hour UV rated & NFPA 701 Fire retardant test. Finish with manufacturer's standard colors selected by architect from manufacturer's available contract colors.
- b. SLAT SUPPORT: Braided ladders of 100% polyester yarn color compatible with slats and spacing no more than 46mm.
- c. HEADRAIL: Heavy-duty, low-profile PVC measuring 1.5" x 2 ¼" with U shaped rolled edges. PVC- Passes 500 hour UV rates and NFPA 701 Fire retardant test. Internally fit with components required for specific performance and designed for smooth, quiet trouble- free operation.
- d. BOTTOMRAIL: Hollow rectangle with recessed end caps. Color-coordinated PVC 50mm width x 15mm height – passes 500 hour UV rated & NFPA 701 Fire retardant test. Engineered polymer tape buttons secure the ladder and cord. Finish to be manufacturer's standard colors or stained finish to match slats.
- e. LIFTING MECHANISM: Engineered polymer cordless mechanism. Two-ply polyester cord filler in braided polyester jacket lift cords meet or exceed commercial specification 1029.86. ANSI/WCMA 5.2.4.
- f. TILT MECHANISM: Permanently lubricated die-cast worm and gear type wand tilter. Gear mechanism in fully enclosed housing with clutch action to prevent ladder tapes from over-rotation.
- g. STANDARD TILT CONTROL WAND: Rounded 3/8" diameter, constructed of engineered polymer, clear color to match slats and detachable without tools. Located on the left side of individual blind.
- h. MOUNTING HARDWARE: Standard hinged cover end support brackets of electroplated steel with finish coat of baked on polyester enamel in color to match headrail. Intermediate support brackets for blinds over 60" wide.
- i. VALANCE: VALANCE: 2-1/2" Fauxwood decorative valance. Color coordinated PVC- passes 500 Hour UV rated & NFPA 701 Fire retardant test.
- j. OPTIONAL SHALL INCLUDE: Hold Down Brackets, Cutouts, Extension Brackets,

2.3 FABRICATION

A. Blind measurements shall be accurate to within +6" according to specifications established by TimberBlindMetroShade engineering standards.

PART 3 – EXECUTION

3.1 INSPECTION

A. Installer shall be responsible for inspection of jobsite, approval of mounting surfaces, verification of field measurements and installation conditions. Installation shall commence when satisfactory conditions are met.

3.2 INSTALLATION

- A. Install blinds in accordance with manufacturer's instructions including recommended support brackets and fasteners.
- B. Install blinds with adequate clearance to permit smooth operation of the blinds. Demonstrate blinds to be in smooth, uniform, working order.

3.3 MAINTENANCE AND CLEANING

A. Clean blinds with mild soap and water only. Do not use cleaning methods involving heat, bleach, abrasives or solvents. Do not use window cloths with paper content. Use of these methods will void the warranty.