

VERTICAL BLINDS

Timber Blind Metro Shade - Commercial Division

1400 Lavon Drive
McKinney, TX 75069
www.timberblinds.com

VERTICAL BLINDS

Vertical Blinds

STANDARD SERIES

Key Features

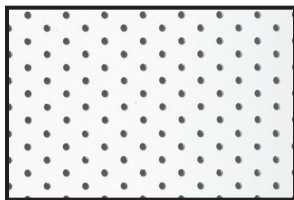
Vertical blinds provide an economical and attractive solution for controlling light in any space. They reflect the sun's heat and reduce overall energy expenses. Available in an array of textures, patterns and colors, Vertical Blinds offer many options for exceptionally large windows.

- Cord & Chain Rotating and Traversing of Louvers
- Wand is available
- 4 Stack Options
- 2 Valance Options
- Premium track system upgrade is available
- Limited Lifetime Warranty

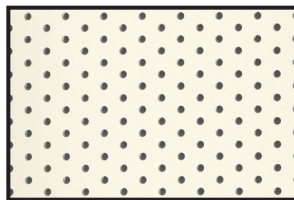


Standard Colors Available in:

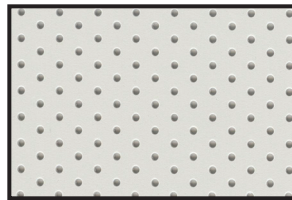
PERFORATED



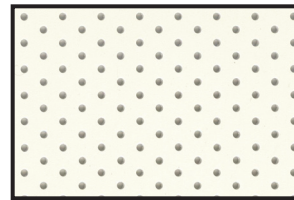
White



Ivory

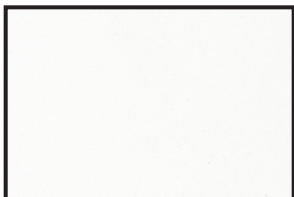


Light Grey

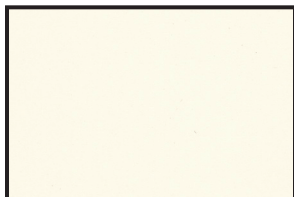


Off White

SMOOTH



White



Ivory

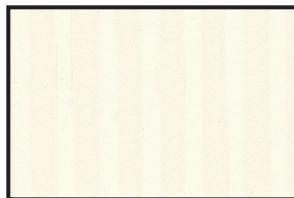


Light Grey

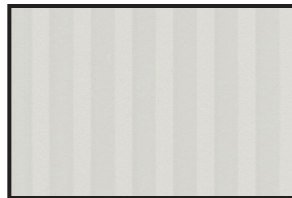
RIDGED



White

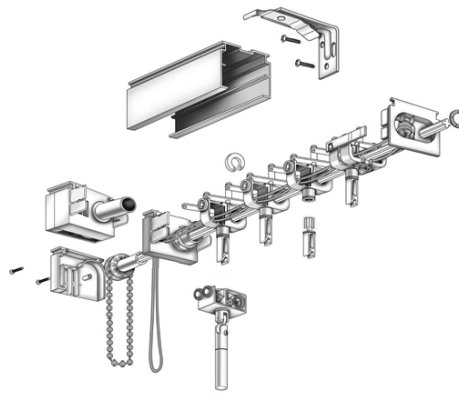
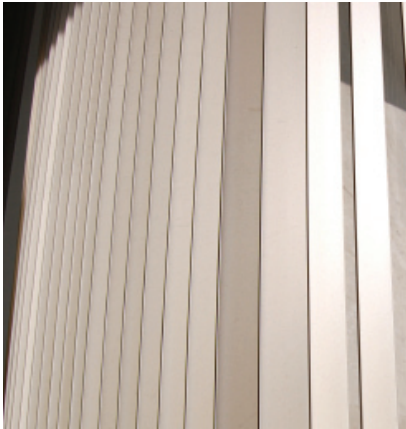


Ivory

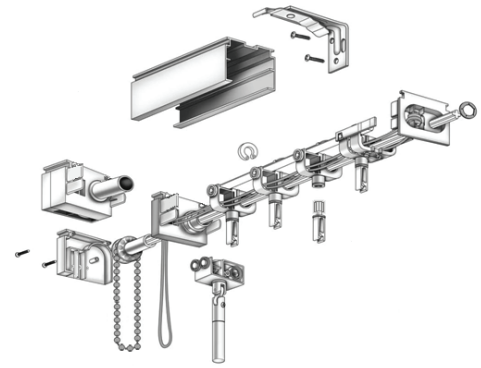


Light Grey

Vertical Blinds



T10 Scissor Track



T10 Strap Track

MATERIALS:

CHANNEL: Available in Ivory or Anodized. Aluminum Alloy – 1 3/4" wide x 1 1/4" high.

CONTROLS: Cord and Chain System: Reduction, Direct Drive and 2" controls are made of acetal plastic which allows for precise control of light using No. 10 nickel-plated steel or brass chain. End Controls are covered to enclose sprockets. Traverse cord roller allows extended cord life and ease of operation.

Variety of gear ratios: Reduction Control 4:1, Direct Drive Control 1:1, 2" - 1:1.

WAND SYSTEM: Equipped with a wand control with a left and right idler end, which holds the tilt rod and covers both ends of the channel. Control made of acetal plastic with a reduction gear. Firmly encircles the tilt rod, which provides smooth rotation.

CARRIERS-T10 STRAP: Molded in acetal plastic with separate straps. The carrier allows for self-alignment and uniform rotation. Two independent self-lubricating wheels for easy traversing. Rotation of the louver is controlled by the precision-molded rack and pinion gear system. Replaceable louver hanger system allows for fast and efficient repair without disassembling the headrail.

CARRIERS-T10 SCISSOR: Molded in acetal plastic with plastic scissor link system. The carrier allows for self-alignment and, uniform rotation. Two independent self-lubricating wheels for easy traversing. Rotation of the louver is controlled by the precision-molded rack and pinion gear system. Replaceable louver hanger system allows for fast and efficient repair without disassembling the headrail.

CHAIN AND CORD SYSTEM: No. 10 nickel-plated steel or brass chain. 4-prong tilt rod is made of extruded aluminum. Tilt rod passes through all the louver carriers, providing rotation to each louver by means of a precision-molded rack and pinion gear system.

WAND SYSTEM: Provides 180 degree rotation to each louver simultaneously through a gear system in the control housing, turning the 4-prong tilt rod.

STACKING: One Way Draw (Left or Right) or Reverse, Split-Draw, Center-Draw. Blind traverses by means of a synthetic traverse cord or wand control pull.

SPACING: Normal louver spacing has a minimum overlap of 3/8". Plastic strap link system provides uniform spacing for 3 1/2" and 2" louvers. Plastic scissor link system available in 3 1/2" only.

MOUNTING HARDWARE: T10 system has numerous standard clip on mounting hardware, including ceiling clips, wall or extension brackets.

SIZE RECOMMENDATIONS: Maximum Width - 192". Maximum Drop - 120"